

“EMAUX” ICF Series Galaxy Single-Element Cartridge Filters

DELIVER OPTIMAL SPARKLING CLEAR WATER
For residential and semi-commercial pools

Galaxy Single-Element Cartridge Filter is built with high-strength and UV-resistant material to prolong the product life. The compact and low height design is suitable for any pool especially with limited system setup space. The extensive dirt-catching capability of the filter element makes this filter highly efficient. A reliable choice for crystal clear water.

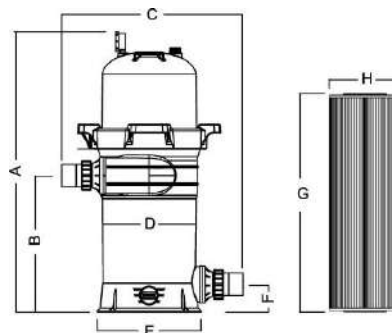
FEATURES

- Eco-friendly
- User friendly
- Trouble-free maintenance



Cartridge Filter Element:

Model	G mm	H mm	Micron μ m	Fold Number
ICF100-CE	497	Ø267	15	137
ICF150-CE	590	Ø267	15	172
ICF200-CE	717	Ø267	15	187



Product Information:

Model	Filter Area	Max Flow Rate	A mm	B mm	C mm	D mm	E mm	F mm
ICF100	100 sqft 9.29m ²	379 lpm 22.7m ³ /h	825	444.5	588	304	335	91
ICF150	150 sqft 13.94m ²	455 lpm 27.3m ³ /h	910	444.5	588	304	335	91
ICF200	200 sqft 18.58m ²	455 lpm 27.3m ³ /h	1033	444.5	588	304	335	91

Code	Model	In / Outlet (inches)	Filter Area (m ²)	Flowrate (gpm)	Flowrate (m ³ /h)	Height (cm)	Width (cm)
20510510065	ICF100	2"	9.29	100	22.7	82.5	33.5
20510510070	ICF150	2"	13.94	120	27.3	91.0	33.5
20510510075	ICF200	2"	18.58	120	27.3	103.3	33.5

“EMAUX” ICF Series

Galaxy Multi-Element Cartridge Filters

DELIVER OPTIMAL SPARKLING CLEAR WATER

For residential and semi-commercial pools

The Galaxy Multi-Element Cartridge Filter is designed to be the best in its class. Adopting the latest technology and constructed with non-corroding and durable materials, the Emaux Galaxy Cartridge Filter has a bigger filter area than most models on the market. The high capacity tank partnered with the advanced multi-element raises hydraulic dirt-catching performance to new levels. Due to being eco and user friendly, it's the ideal choice for residential and commercial pools.

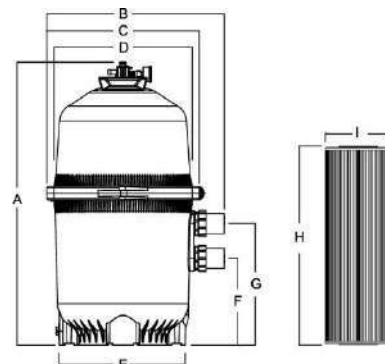
FEATURES

- Eco-friendly
- User friendly
- Trouble-free maintenance



Cartridge Filter Element:

Model	No. of Element	H mm	I mm	Micron μm	Fold Number
ICF230-CE	4	441	$\text{Ø}178$	15	156
ICF330-CE	4	498	$\text{Ø}178$	15	198
ICF430-CE	4	647	$\text{Ø}178$	15	197
ICF530-CE	4	835	$\text{Ø}178$	15	187
ICF680-CE	8	485	$\text{Ø}178$	15	209



Product Information:

Model	Filter Area	Max Flow Rate	A mm	B mm	C mm	D mm	E mm	F mm	G mm
ICF230	230 sqft 21.37m ²	327 lpm 19.6m ³ /h	829	648	556	504	462	317.5	444.5
ICF330	330 sqft 30.73m ²	468 lpm 28.1m ³ /h	886	648	556	504	462	317.5	444.5
ICF430	430 sqft 39.97m ²	575 lpm 34.5m ³ /h	1035	648	556	504	462	317.5	444.5
ICF530	530 sqft 49.19m ²	575 lpm 34.5m ³ /h	1223	648	556	504	462	317.5	444.5
ICF680	680 sqft 63.13m ²	575 lpm 34.5m ³ /h	1362	648	556	504	462	317.5	444.5

Code	Model	In / Outlet (inches)	Filter Area (m ²)	Flowrate (gpm)	Flowrate (m ³ /h)	Height (cm)	Width (cm)
20510510080	ICF230	2"	21.37	86	19.6	82.9	46.2
20510510085	ICF330	2"	30.73	124	28.1	88.6	46.2
20510510090	ICF430	2"	39.97	152	34.5	103.5	46.2
20510510095	ICF530	2"	49.19	152	34.5	122.3	46.2
20510510100	ICF680	2"	63.13	152	34.5	136.2	46.2