

“EMAUX” RGB-CB Series Remote & Control Box For E-Lumen Series

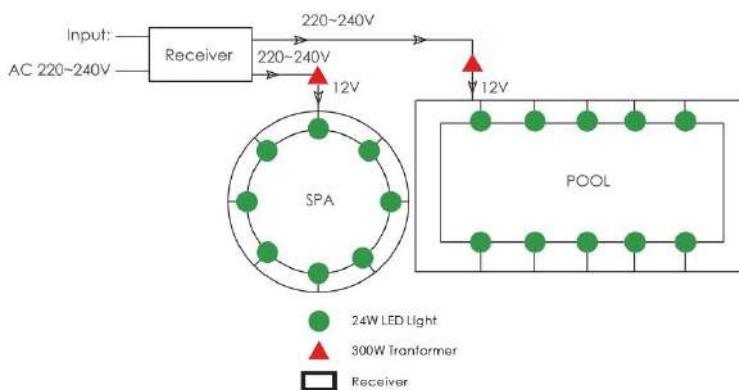
Remote Control for RGB Lights
Electrical overload and leakage protection

FEATURES

- IP 44 rating, suitable for outdoor use
- Maximum load of 600W with power indicator
- Made from fire-proof ABS material
- Electrical overload & leakage protection
- Two control modes-manual and timer mode in which the ON/PFF time of load can be set
- The hand-d/held remote control interacts with the control box from a distance
- Simple and easy operation with 4 keys:
- 10 effects are sequenced numbered, RESET key set all lights to the first effect
- POOL and SPA Key are used to change effect of lights connected to Pool line and Spa line respectively



IP44 RoHS COMPLIANT 2011/65/EU CE SAA



Underwater Light Control Box

Remote Control

Code	Model	Description
21120510010	RGB-CB	Control Box with Remote Control / For RGB Lights only – 600W