

PUMPS



“ESPA” Nadorsel Series Swim Jet Pumps Complete Set With Unions Made In Spain

APPLICATIONS

- Generate a strong stream of water and transform swimming pools into places for sport and leisure
- Silent
- Self-priming up to 4m.

MATERIALS

- Pump body, foot, impeller, seal mounting, diffuser, suction and discharge in techno polymer
- Pump shaft in AISI 431.
- ESPA mechanical seal
- Motor casing in aluminum
- O-ring in NBR.



MOTOR

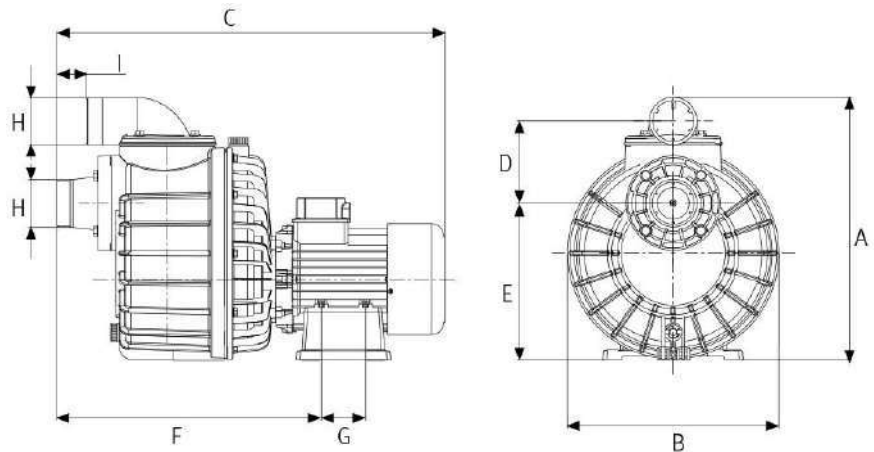
- Asynchronous, 2 poles
- IP55 protection
- Class F insulation
- Thermal protection
- Continuous operation

LIMITATIONS

- Maximum water temperature 40°C

EQUIPMENT

- No cable, no plug
- Imperial unions included 1.5”

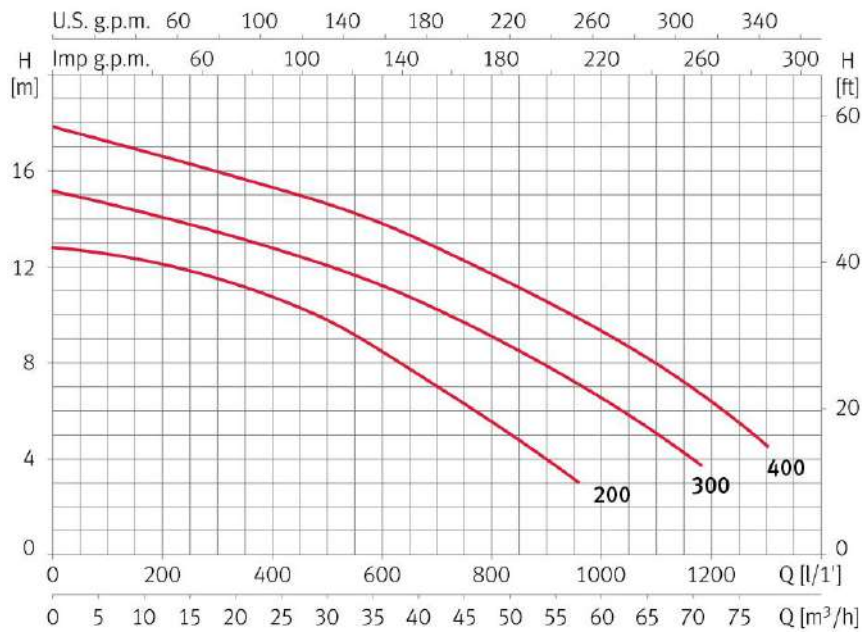


Dimension and weight

Model	A	B	C	D	E	F	G	H	I	Kg
Nadorsel 200	416	335	615	130	249	419	70	2 1/2"	47	25,1/23,1
Nadorsel 300	416	335	615	130	249	419	70	2 1/2"	47	26,1/25,8
Nadorsel 400	416	335	615	130	249	419	70	2 1/2"	47	28



Performance curve at 2900 rpm



Hydraulic performance table

Model	I [A]			P1 [kW]		P2		c [μF]	l/min m³/h	100	200	400	600	800	1000	1200	1300	Code	
	1~230V	3~230V	3~400V	1~	3~	[kW]	[HP]			6,0	12	24	36	48	60	72	78	1~230V	3~230V/400V
Nadorself 200	10,2	7	4,1	2,2	2,2	1,5	2	40	mwc	12,9	12,2	10,6	8,5	6	-	-	-	203165	203167
Nadorself 300	13,4	8,6	5	3	3	2,2	3	60		14,6	14	12,8	11,3	9	6,5	-	-	203166	203168
Nadorself 400	-	11,8	6,8	-	3,4	3	4	-		17,2	16,6	15,3	13,8	11,6	9,4	6,3	4,5	-	203169

Code	Model	In/Outlet (inches)	Flowrate (gpm)	Flowrate (m³/h)	Head (m)	Amp	H.P.	Voltage	Phase
20700530120	Nadorself 200 M	2.5	128	29	10	6.8	2.0	220	1
20700530125	Nadorself 200	2.5	128	29	10	3.9	2.0	380	3
20700530130	Nadorself 300	2.5	194	44	10	5.7	3.0	380	3
20700530135	Nadorself 400	2.5	251	57	10	7.8	4.0	380	3