



CTX^{MKII}

PERFORMANCE POOL/SPA PUMP

High flow and high pressure

Saves on operating costs

Robust and reliable construction

High performance pump



CTX MKII PERFORMANCE POOL & SPA PUMP

Modern pools and spas are a sophisticated combination of electronic and mechanical designs that require equipment that can handle the pressure of today's swimming pool demands as well as survive in the hard Australian conditions.

STRONG PERFORMANCE

With increasing levels of automation and equipment on pools and spas you need a pump that can handle moving water through your pool filter, salt chlorinator, in-floor cleaning systems or multi jet spas.

ROBUST BUILD

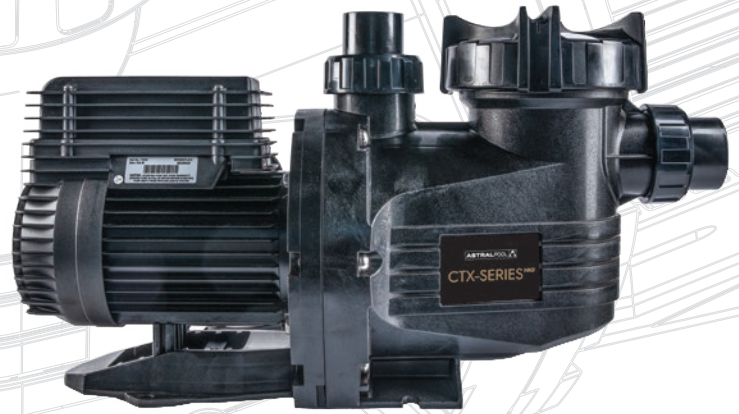
The CTX Series pump has been designed to comfortably meet these needs by delivering a much higher head pressure and overall performance than other pumps. With reliable external protection and high quality components this pump will be reliable in all weather conditions.

OPERATING SAVINGS

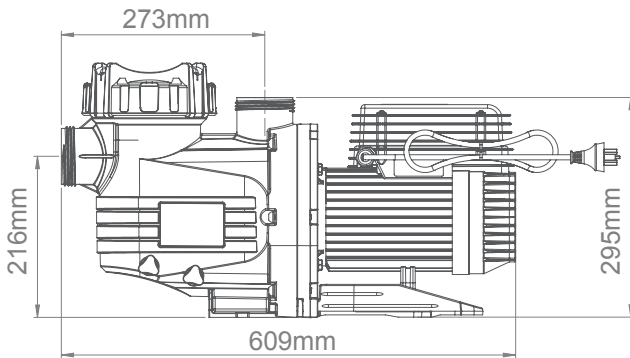
While meeting the demands of your equipment the CTX also moves more water, using less power in fewer hours per day. This means lower electricity costs. With the need for less frequent cleaning the CTX-Series pump will save you both time and money.

WARRANTY

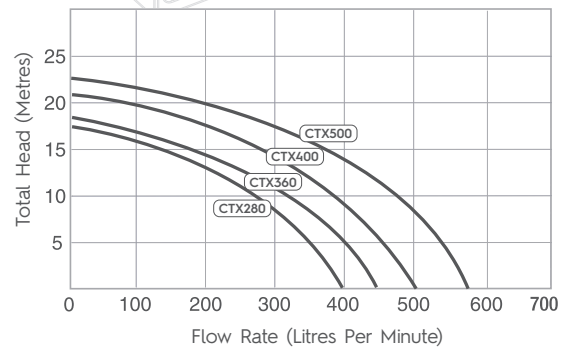
For warranty period, please refer to www.astralpool.com.au/warranty-information.



DIMENSIONS



FLOW CHART



TECHNICAL INFORMATION

Model	Volts	Phase	Input Watts	Horse Power	Flow Rate Max @ 8m/h	Full Load Amps	Energy Consumption (kWh/Y)	Energy Star Rating
CTX 280C	240	Single	1070	1.00	280 lpm	4.5	1280	1
CTX 360C	240	Single	1140	1.25	360 lpm	4.75	1353	1
CTX 400C	240	Single	1650	1.50	400 lpm	7.2	1572	1
CTX 500C	240	Single	1900	2.00	500 lpm	8.3	n/a	n/a