



Countercurrent swimming unit by

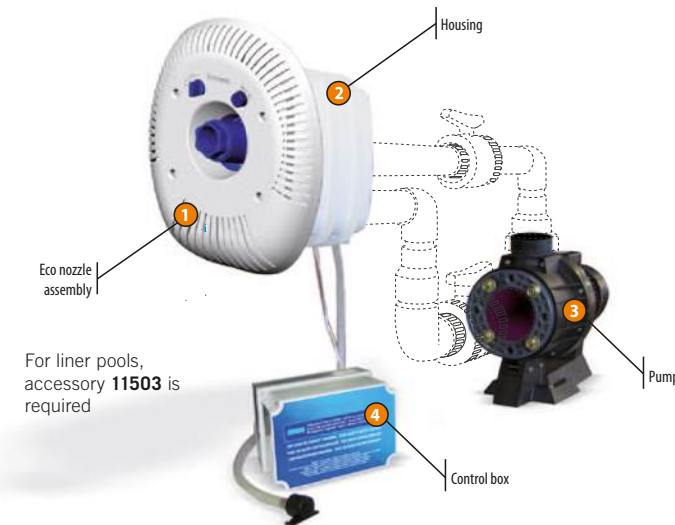
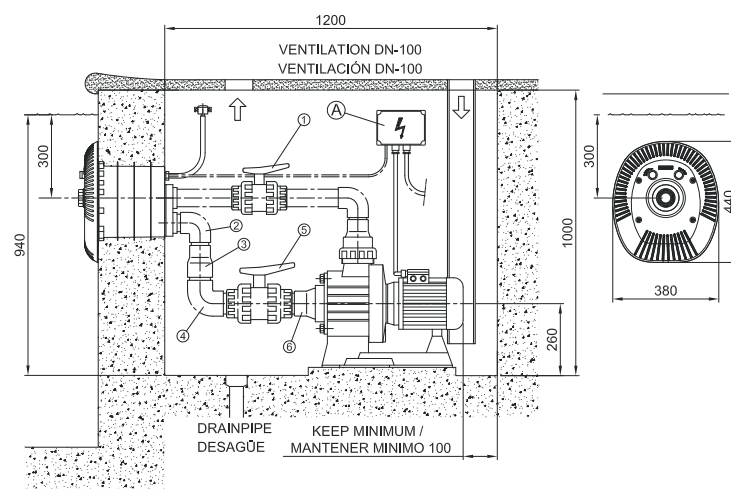
# Marlin

**Kit made up of:**

- Countercurrent unit with white plastic front cover
- Plastic housing,
- 4.5 cv pump
- Control box

**Marlin**

Code	Description
35375	Marlin 30 II countercurrent unit (single-phase)
35376	Marlin 30 III countercurrent unit (three-phase)
35377	Marlin 45 III countercurrent unit (three-phase)



## Components included



Nozzle assembly



Housing



4.5 CV pump



Control box

**ASTRALPOOL**

[www.astralpool.com](http://www.astralpool.com)

**FLUIDRA**

**ASTRALPOOL**

## State-of-the-art countercurrent swimming units

- ▶ Modern designs that fit in with any pool
- ▶ Wide range of features and levels of resistance
- ▶ Made of polished AISI 316 stainless steel





## Countercurrent swimming unit Basic NL

The essence of countercurrent units

### Kit made up of:

- Countercurrent swimming unit with polished AISI 316 stainless steel front cover.
- Air-water return nozzle, flow adjustable from 27 to 40 m<sup>3</sup>/h and suction system.
- Hand grip.
- 5.5 cv pump.
- Control box.

### Basic NL

Code	Descripción
66470	Basic NL countercurrent unit for concrete pools
66471	Basic NL countercurrent unit for liner pools



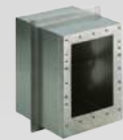
### Components included



Nozzle assembly



Hand grip



Housing



5.5 cv pump



Control box

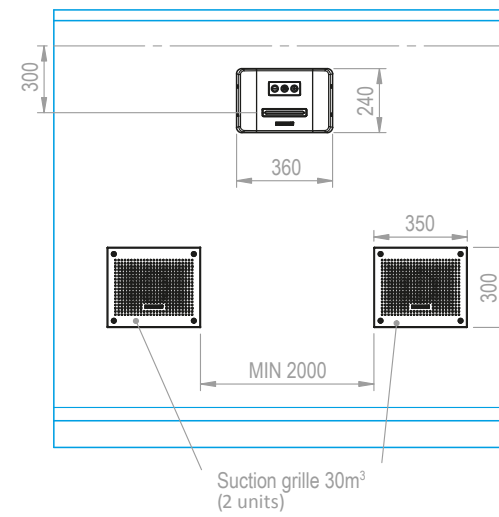


## Countercurrent swimming unit Basic ND

The water outlet through side slats brings innovation to countercurrent units

### Kit made up of:

- Countercurrent swimming unit with polished AISI 316 stainless steel front cover.
- Illuminated piezoelectric push button.
- Air-water return nozzle, max. flow rate of 50 m<sup>3</sup>/h and built-in suction system.
- Two suction grilles with a capacity of 30 m<sup>3</sup>/h made of polished AISI 316 stainless steel.
- 5.5 cv pump.
- Flow rate of 50 m<sup>3</sup>/h.
- Power control cabinet.



Suction grille 30m<sup>3</sup>  
(2 units)

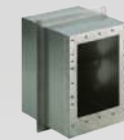
### Basic ND

Code	Description
65498	Basic ND countercurrent unit for concrete pools
66044	Basic ND countercurrent unit for liner pools

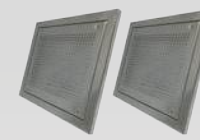
### Components included



Nozzle assembly



AISI 316 stainless steel housing



Two suction grilles with a capacity of 30 m<sup>3</sup>/h



5.5 cv pump



Control box

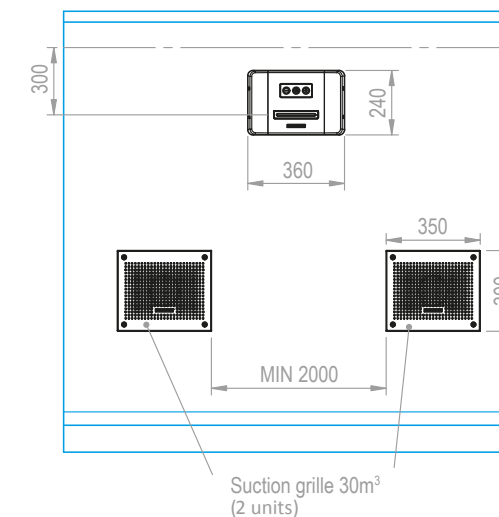


## Countercurrent swimming unit Advance ND

The water outlet through side slats brings innovation to countercurrent units and top performance

### Kit made up of:

- Countercurrent swimming unit with polished AISI 316 stainless steel front cover.
- Illuminated piezoelectric push button.
- Air-water return nozzle, flow rate of 25–50 m<sup>3</sup>/h adjusted from a variable speed drive and has a built-in suction system.
- Suction grille of 30 m<sup>3</sup>/h made of polished AISI 316 stainless steel (2 units)
- 5.5 cv pump 3~400V
- Power control cabinet
- Flow rate of 25 to 50 m<sup>3</sup>/h
- Maximum flow rates of 12 m/s at the unit's outlet; 2.4 m/s 1 m away; 1.7 m/s 1.5 m away; and 1.5 m/s 2 m away.



Suction grille 30m<sup>3</sup>  
(2 units)

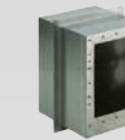
### Advance ND

Code	Description
65497	Advance ND countercurrent unit for concrete pools
66043	Advance ND countercurrent unit for liner pools

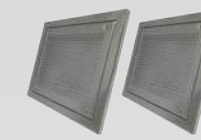
### Components included



Nozzle assembly



AISI 316 stainless steel housing



Two suction grilles with a capacity of 30 m<sup>3</sup>/h



5.5 cv pump



Control box and variable speed drive