

ASTRALPOOL 



**HIGH FLOW
HIGH PRESSURE**



**LARGE CAPACITY
BASKET**



**AUSTRALIAN
DESIGNED & MADE**

XP-SERIES

POOL & SPA PUMP

High flow, high pressure performance

Improved hydraulic efficiency

Robust design with added rigidity

Large capacity basket reduces maintenance

Low noise level



XP POOL & SPA PUMP

The demands on pool equipment in modern pools like large in-ground pools, swim spas, swim jets, larger pool filters, salt-chlorinators and in floor cleaning systems place an enormous load on the pump.

STRONG & POWERFUL

The new XP series pumps are designed with high power and superior control to comfortably meet the increasing demand. With a durable exterior and high quality components the XP pumps command highest standards of reliability and durability.

SUPERIOR PERFORMANCE

Deliver higher head pressure and a superior overall performance the XP pump also moves more water, using less power in fewer hours per day. This means lower electricity costs. With a large capacity hair and lint pot the XP requires less frequent cleaning, making it ideal for holiday home and high leaf areas.

LOW NOISE LEVEL

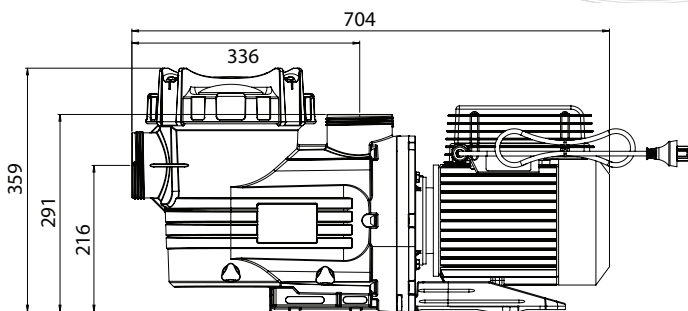
In high density residential area, noise is a concern. The XP pump has been designed to run cooler with less fan noise which means reduced noise level.

WARRANTY

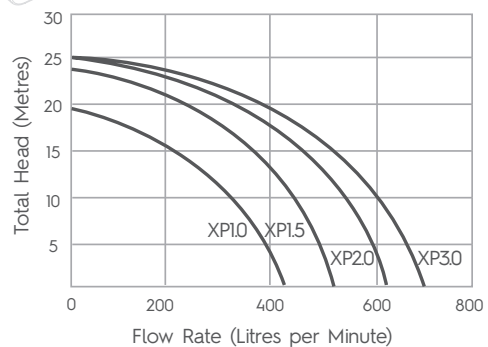
For warranty period, please refer to www.astralpool.com.au/warranty-information.



DIMENSIONS



FLOW CHART



TECHNICAL INFORMATION

Model	HP	Volts	Phase	Input Watts	Flow Rate	Full Load Amps	Energy Consumption (kWh/Y)	Energy Star Rating
XP 1.5 HP 1 PH	1.5	240	Single	1500	440	7	1534	1
XP 2.0 HP 1 PH	2.0	240	Single	1900	540	8.1	n/a	n/a
XP 3.0 HP 1 PH	3.0	240	Single	2500	635	11	n/a	n/a
XP 2.0 HP 3 PH	2.0	415	Three	2400	540	3.4	n/a	n/a
XP 3.0 HP 3 PH	3.0	415	Three	3200	635	4	n/a	n/a