

# BADU<sup>®</sup> Resort

Cost saving pump for large units. Light and powerful.  
For wellness oases, hotel swimming pools or special pools.

### Field of application

Swimming pool water circulation through a filter system.  
The pump can be installed max. 3 m above or below water level.

### Design

Monoblock-type pump with integrated strainer tank.  
The bellows-type mechanical seal is mounted on a plastic shaft protector sleeve. Motor/pump shaft has no contact with the pool water providing complete electrical separation.  
Strainer tank capacity ..... approx. 10 l  
Strainer basket mesh size ..... approx. 3.4 x 3.2 mm

For glue sockets made from PVC suitable for BADU Resort 50 to BADU Resort 110 please see page 135.

### Materials used

Pump casing ..... PP GF 30  
Intermediate housing ..... PP TV 40  
Gland housing ..... PP TV 40  
Diffuser ..... PP GF 30  
Impeller ..... PPE GF 30/PP GF 30  
Impeller nut ..... PP GF 30  
Strainer basket ..... PP  
Lid ..... PC, transparent/PA 66 GF 30  
Glue sockets ..... ABS  
Mechanical seal ..... carbon/ceramic/NBR  
Screws ..... stainless steel  
Elastomers ..... NBR/viton

Technical data at 50 Hz	BADU Resort	30	40	45	50	55	60	70	80	110
Inlet Sa/outlet connection Da d <sup>2)</sup>		75/75	90/90	90/90	110/110	110/110	110/110	110/110	110/110	110/110
Rec. inlet/outlet pipe, PVC pipe, d <sup>4)</sup>		75/75	90/90	90/90	110/110	110/110	110/110	110/110	140/140	160/140
Power input P <sub>1</sub> /output P <sub>2</sub> <sup>1)</sup> (kW)	3~ Y/Δ 400/230 V	1.77/1.50	2.55/2.20	3.00/2.60	3.45/3.00	-/-	3.00/2.60	3.45/3.00	-/-	-/-
Rated current (A)	3~ Y/Δ 400/230 V	3.30/5.72	4.60/8.00	5.50/9.50	6.20/10.70	-/-	5.50/9.50	6.20/10.70	-/-	-/-
Power input P <sub>1</sub> /output P <sub>2</sub> <sup>1)</sup> (kW)	3~ Y/Δ 690/400 V	-/-	-/-	-/-	-/-	4.55/4.00	-/-	-/-	4.55/4.00	6.15/5.50
Rated current (A)	3~ Y/Δ 690/400 V	-/-	-/-	-/-	-/-	4.60/7.90	-/-	-/-	4.60/7.90	6.00/10.40
Net weight (kg)	3~	28.00	34.00	36.00	38.00	44.00	37.00	38.00	44.00	52.00

For more detailed information regarding the motor protection please see page 143.

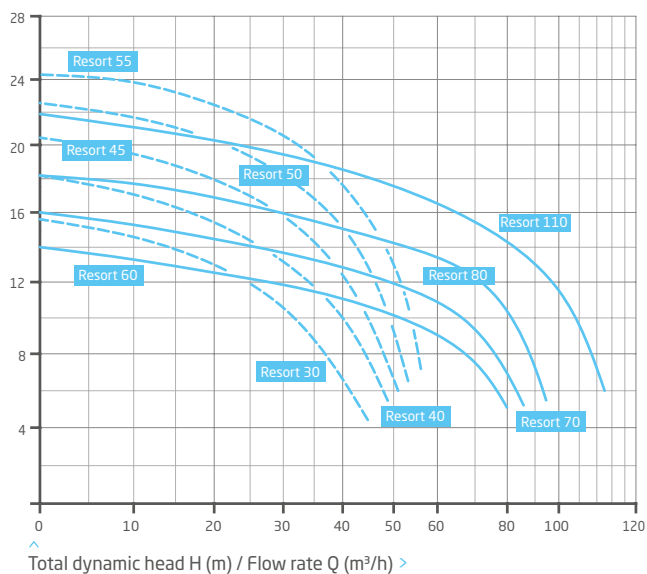
Technical data may vary.

Article no	Description	Voltage	Power output P <sub>2</sub>
219.5308.037	BADU Resort 30	3~ Y/Δ 400/230 V	1.50 kW
219.5408.037	BADU Resort 40	3~ Y/Δ 400/230 V	2.20 kW
219.5458.037	BADU Resort 45	3~ Y/Δ 400/230 V	2.60 kW
219.5508.037	BADU Resort 50	3~ Y/Δ 400/230 V	3.00 kW
219.5558.037	BADU Resort 55	3~ Y/Δ 690/400 V	4.00 kW
219.5608.037	BADU Resort 60	3~ Y/Δ 400/230 V	2.60 kW
219.5708.037	BADU Resort 70	3~ Y/Δ 400/230 V	3.00 kW
219.5808.037	BADU Resort 80	3~ Y/Δ 690/400 V	4.00 kW
219.5118.037	BADU Resort 110	3~ Y/Δ 690/400 V	5.50 kW

Three-way opening device included in delivery. See page 132.

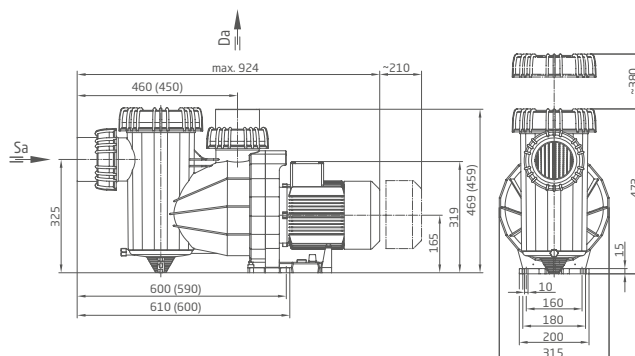


### Performance



### Dimensions

Detailed dimensions available on request or at badu.de



The measurements in brackets are for BADU Resort 30 to BADU Resort 45.