

# BADU® Classic

Circulation pumps, non-self priming

Connection variant for BADU Classic universal circulation pump. For whirlpools, bathtub, counter swim units and swimming pool attractions.

## Design

The bellow-type mechanical seal is mounted on a plastic shaft protector sleeve. Motor/pump shaft has no contact with the pool water providing complete electrical separation.

## Field of Application

Swimming pools and industrial filter units, counter swim units, air conditioning units, swimming pool attractions, cleaning devices and many more applications up to a flow rate of 60 m<sup>3</sup>/h.

## Material Used

Pump casing .....PP TV 40/PPE GF 30  
 Housing cover..... PP GF/15PPE GF 30  
 Impeller .....PPE GF 30/PP GF 30  
 Union with Glue sockets ..... ABS  
 Mechanical seal ..... carbon/ceramic/NBR  
 Motor shaft ..... stainless steel  
 Screws .....galvanised steel/Stainless Steel/Brass  
 Elastomers ..... NBR/viton

Pool technology	5	10	16	22	28	32	40	60
Inlet /outlet D (in)	2"/1.5"	2"/1.5"	2"/1.5"	2"/1.5"	2"/1.5"	2"/1.5"	4"/4"	4"/4"
Voltage (V) (50HP)	230	230	230	230	230	230	230	230
Rated Current (A)	1.7	3.2	3.8	4.7	6.4	8.8	9.5	13.0
Power Input/Output (kW)	0.38/0.25	0.65/0.45	0.87/0.65	1.07/0.80	1.45/1.10	1.94/1.50	2.11/1.60	2.90/2.20
Weight (kg)	7	7	8	10	12	18	18	20

All motor are available in 3 phase as well

Technology data may vary

Article	Description	Flow Rate (Q at 8m)	Voltage (1~)	HorsePower(Hp)
1	BADU Classic 5	5	220-230	1/2
2	BADU Classic 10	10	220-230	3/4
3	BADU Classic 16	16	220-230	1
4	BADU Classic 22	22	220-230	1.5
5	BADU Classic 28	28	220-230	2
6	BADU Classic 32	32	220-230	2.5
7	BADU Classic 40	40	220-230	3
8	BADU Classic 60	60	220-230	4

Q = Cubic Meter / Hour

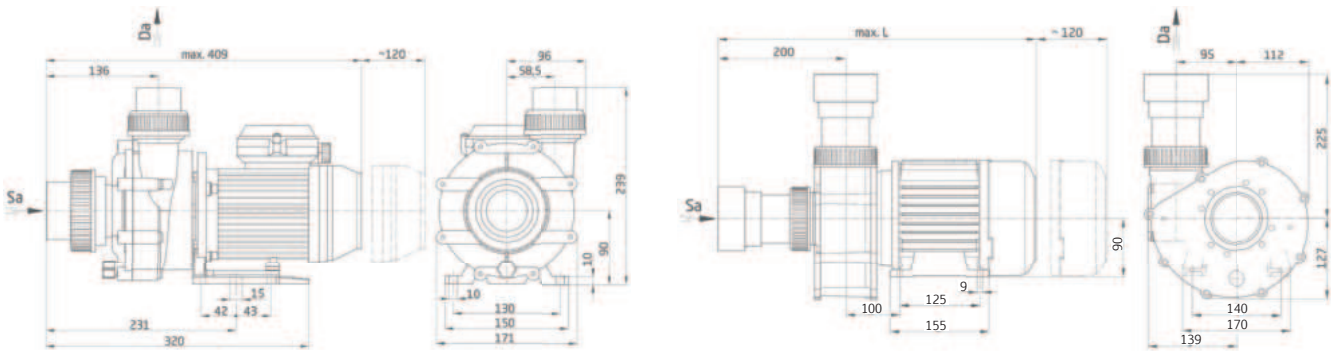


## BADU Classic 5-32

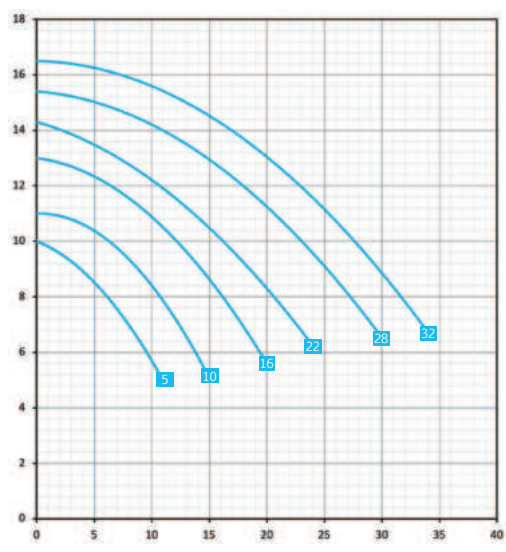
## BADU Classic 40-60



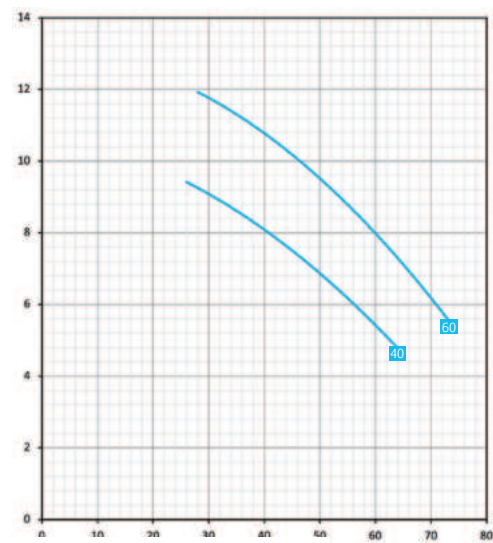
### Dimension



### Performance



Total dynamic head H (m) / Flow rate Q (m³/h)



Total dynamic head H (m) / Flow rate Q (m³/h)