

Groundbreaking and time-saving in replacements. Installing a replacement pump has never been easy.

Design

- Smooth running
- Low-wear materials
- Screws on the suction and pressure sides
- Bellow-type mechanical seal on a plastic protector
- Self-priming pump (assembly max. 2 m. above or max. 3 m. below the water level)

Field of Application

The BADU Magic self-priming pool pump is a real all-rounder for private or public pool and pond units. Due to the flexible connection options and the large strainer tank, it is perfect for: above ground pools, partially submerged pools, built-in pools, swimming ponds fish ponds.

Material Used

- Pump casingPP GF 30
- Housing coverPP TV 30
- ImpellerPA 66 GF 30/PP GF 30/PPE GF 30
- Strainer basketPP
- LidPC, transparent/PP GF 30
- Union with Glue socketsPVC-U
- Mechanical sealcarbon/ceramic/NBR
- Motor shaftstainless steel
- Screwsgalvanised steel/stainless steel

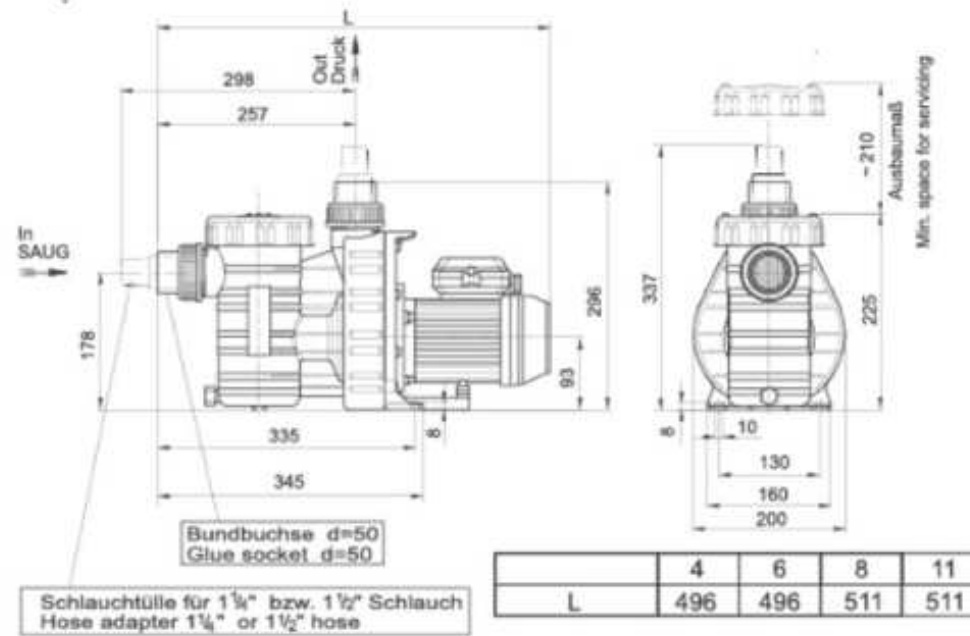
Pool technology	4	6	8	11
Inlet /outlet D (in)	1.5"/1.5"	1.5"/1.5"	1.5"/1.5"	1.5"/1.5"
Voltage (V) (1~)	230	230	230	230
Current (A)	1.4	1.7	2.6	2.9
Power Input/Output (kW)	0.32/0.20	0.38/0.25	0.58/0.40	0.65/0.45
Weight (kg)	7	7	11	11

Article	Description	Flow rate (Q at 8m)	Voltage (1~)	HorsePower(In/Out)
1	BADU Magic 4	4	230	0.4
2	BADU Magic 6	6	230	0.5
3	BADU Magic 8	8	230	0.75
4	BADU Magic 11	11	230	1

BADU Magic 4-11



Dimension



Performance

