

BADU Professional

Circulation pumps, self priming

Groundbreaking and time-saving in replacements. Installing a replacement pump has never been easy.

Design

- Smooth running
- Low-wear materials
- Screws on the suction and pressure sides
- Bellow-type mechanical seal on a plastic protector
- Self-priming pump (assembly max. 2 m. above or max. 3 m. below the water level)

Field of Application

The BADU Professional self-priming pool pump is a real all-rounder for private or public pool and pond units. Due to the flexible connection options and the large strainer tank, it is perfect for: above ground pools, partially submerged pools, built-in pools, swimming ponds fish ponds.

Material Used

- Pump casingPP GF 30
- Housing coverPP TV 30
- ImpellerPA 66 GF 30/PP GF 30/PPE GF 30
- Strainer basketPP
- LidPC, transparent/PP GF 30
- Union with Glue socketsPVC-U
- Mechanical sealcarbon/ceramic/NBR
- Motor shaftstainless steel
- Screwsgalvanised steel/stainless steel

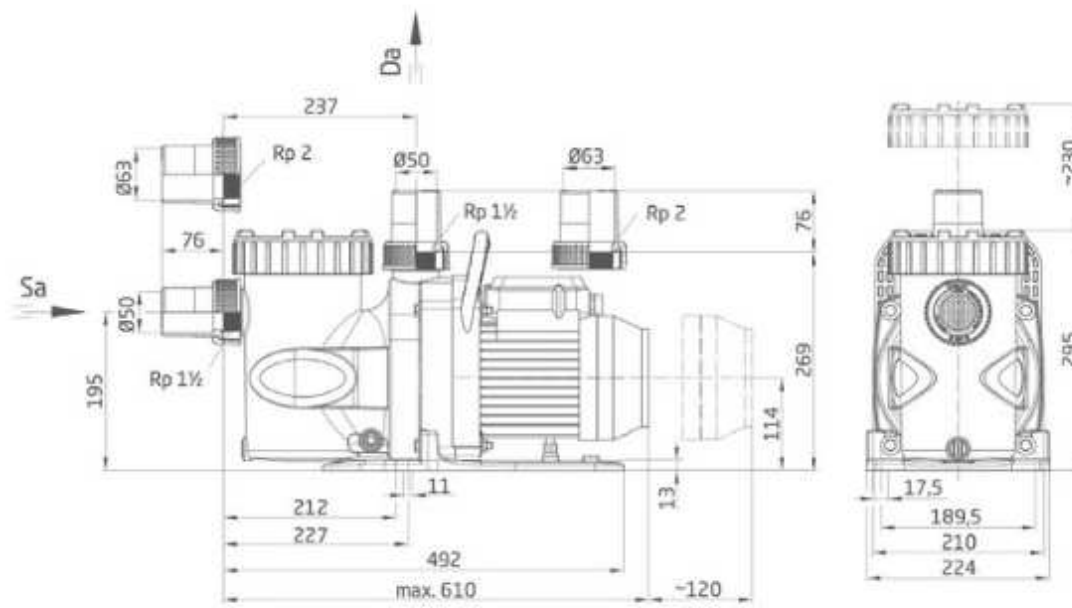
Pool technology	18	23	27	31	36
Inlet /outlet D (in)	2"/2"	2"/2"	2"/2"	2"/2"	2"/2"
Voltage (V) (1~)	230	230	230	230	230
Current (A)	4.7	6.4	7.4	8.8	14.4
Power Input/Output (kW)	1.07/0.80	1.45/1.10	1.65/1.30	1.94/1.50	2.54/2.20
Weight (kg)	13	17	20	21	22

Article	Description	Flow rate (Q at 8m)	Voltage (1~)	HorsePower(In/Out)
1	BADU Professional 18	18	230	1.5
2	BADU Professional 23	23	230	2
3	BADU Professional 27	27	230	2.25
4	BADU Professional 31	31	230	2.5
4	BADU Professional 36	36	230	3.5

BADU Professional 18-36



Dimension



Performance

