

Sand Filter System **FSP SERIES**

Compact Filter System

For above-ground pool

Valve

4-Way Multiport Valve

Max Working Pressure

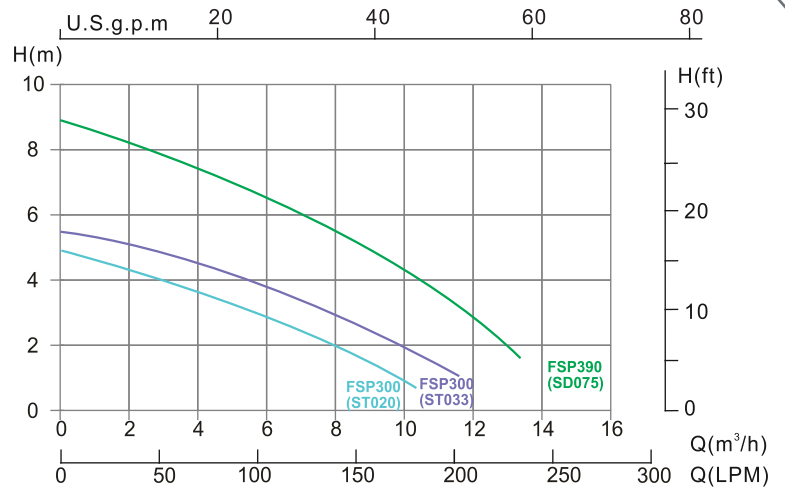
29psi/2bar

Max Water Temperature

40°C (104°F)

Suggested Size Of Media

0.5-0.8mm



Note: Flow curve information based on 220V/50Hz motor.

Product Information and Dimensions

Note: Suggested sand weight varies with differences in filter media size. For reference only.

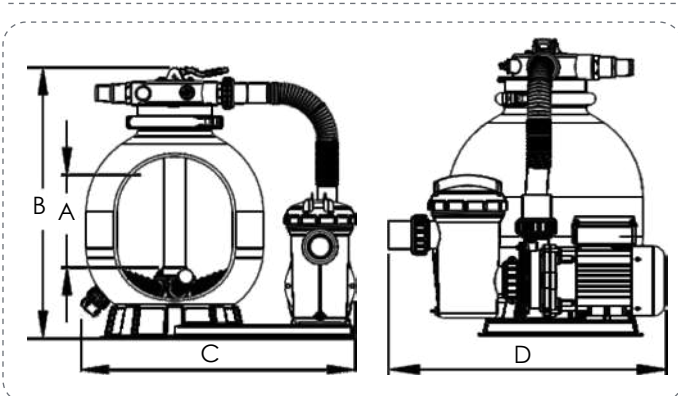
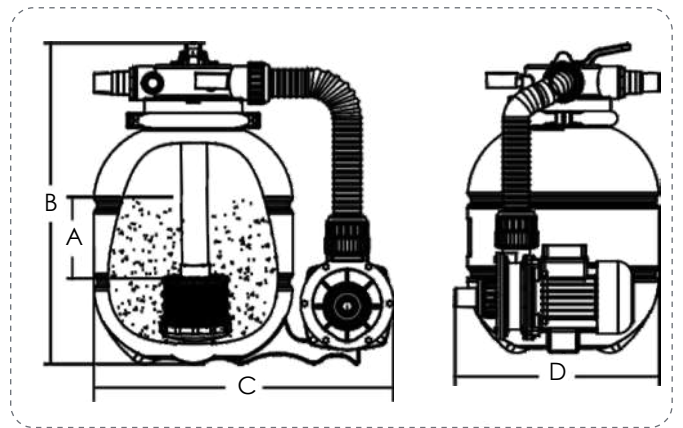
Code	Model	Filter	Pump	Max. Flow Rate	Sand (kg)	A (mm)	B (mm)	C (mm)	D (mm)	Filter & Pump In/Out Connection	Adaptor
88030201	FSP300-4W	P300	ST020	58lpm 3.5m³/h	19	145	540	485	330	1.5" / 50 mm	1 1/4" & 1 1/2" 32 & 38mm
88030202	FSP300-4W	P300	ST033	67lpm 4.02m³/h	19	145	540	485	330	1.5" / 50 mm	1 1/4" & 1 1/2" 32 & 38mm
88033718	FSP390-4W	P390	SD075	133lpm 8.00m³/h	35	235	724	760	527	1.5" / 50 mm	1 1/4" & 1 1/2" 32 & 38mm



FSP300 Filtration Combo

includes:

- 1) Durable top mount plastic filter tank (P300 Filter)
- 2) 4-Way Multiport Valve
- 3) ST Series Pump (ST020 or ST033)



FSP390 Filtration Combo

includes:

- 1) Durable top mount plastic filter tank (P390 Filter)
- 2) 4-Way Multiport Valve
- 3) SD075 Pump

