

Sand Filter System FSU SERIES

Ultra Filter System with built-in timer (option)

For above-ground pool

Valve

4-Way Multiport Valve

Max Working Pressure

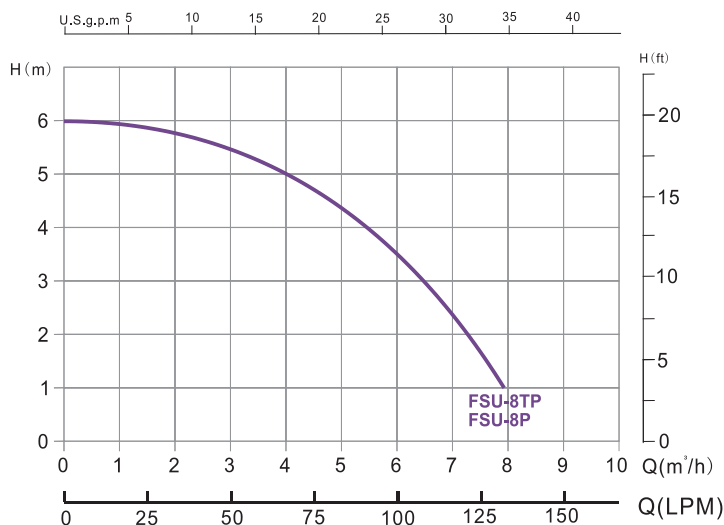
29psi/2bar

Max Water Temperature

40°C (104°F)

Suggested Size Of Media

0.5-0.8mm

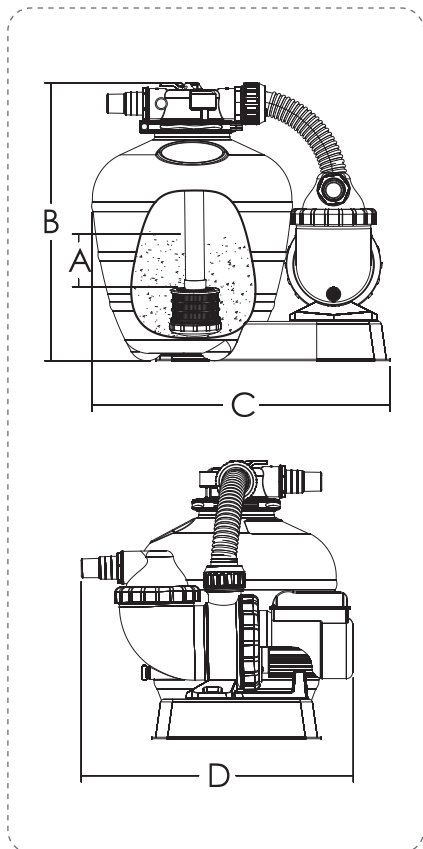


Note: Flow curve information based on 220V/50Hz motor.

Product Information and Dimension

Note: Suggested sand weight varies with differences in filter media size. For reference only.

Code	Model	Filter	Pump	Max. Flow Rate	Sand (kg)	A (mm)	B (mm)	C (mm)	D (mm)	Filter & Pump In/Out Connection	Adaptor	
88033669	FSU-8TP	13" Filter	AMU020TP	133.3lpm	8.0m³/h	17	145	460	494	450	1.5" / 50 mm	1 1/4" & 1 1/2" 32 & 38mm
88033671	FSU-8P	13" Filter	AMU020P	133.3lpm	8.0m³/h	17	145	460	494	450	1.5" / 50 mm	1 1/4" & 1 1/2" 32 & 38mm



FSU Series Filtration Combo

includes:

- 1) Durable top mount plastic filter tank
- 2) 4-Way Multiport Valve
- 3) Aqua-Mini Pump (AMU020TP or AMU020P)
- 4) Timer (optional)

www.poolandsaunacenter.com

www.motiongroup.co.th