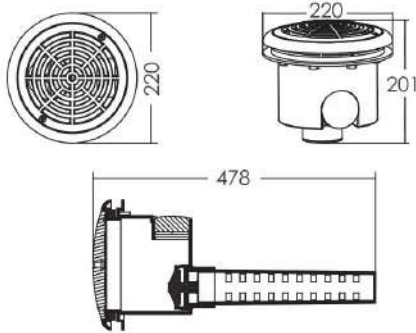


# POOL & SPA FITTINGS



## “EMAUX” Main Drain Fittings



EM2833C/EM2833V



89140501

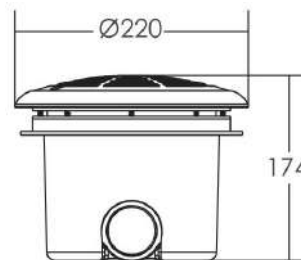


01051155



Code	Model	Description	Flow Rate (L/min)	Connection (inches)	Colour
22900510005	EM2833HC	Main Drain for Concrete pool with Hydrostatic Relief Valve & Collector Tube	240	2	White

Code	Model	Description
20330280150	89140501	Spare Part – Hydrostatic Relief Valve 2”



Code	Model	Description	Flow Rate (L/min)	Connection (inches)	Colour
22900510010	EM2832C	Main Drain for Concrete Pool	150	1.5	White