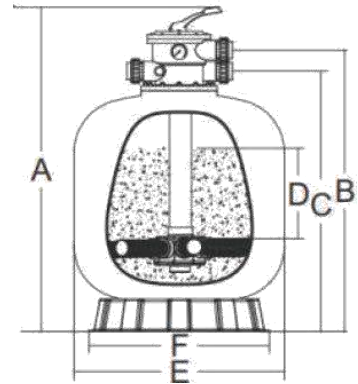
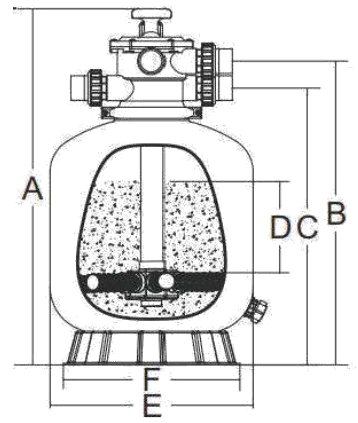




ZOF AUQA W Series Bobbin



UV-resistant surface finished.
Equipped with a 1.5" or 2.0" six-position multiport valve.
Universal standard of union connection provided.
Max. working pressure 36 psi/2.5 bar.
Max. temperature of 43° C(109° F)
Suggested size of media: 0.5-0.8mm.



Model	Port Size (inches)	Flow Rate (m ³ /h)	Height (cm)	Width (inches)	Sand (kg)
W550	1.5	11.5	830	21	85
W650	1.5	15.6	980	25	145
W700	1.5	19.5	1070	28	210
W700B	2	20.16	1083	28	215
W800	2	24.9	1200	32	355
W900	2	31.2	1310	36	470
W1000	2	39	1410	40	620
W1100	2	42	1500	44	700
W1200	2	51.6	1590	48	860
W1400	2	57	1800	56	1400